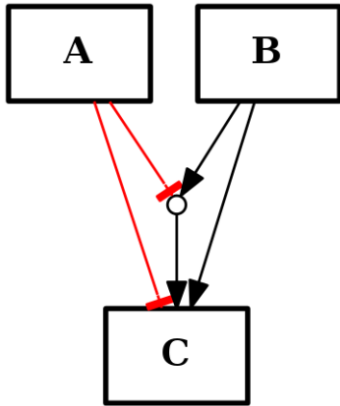
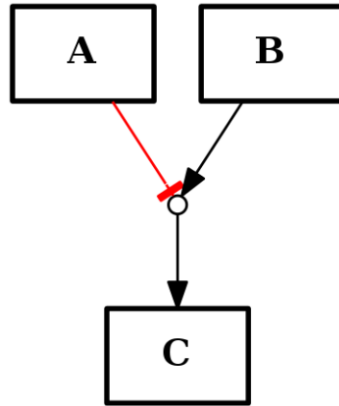


OR and AND gates



AND gates only



after call to expand_or_gates function

